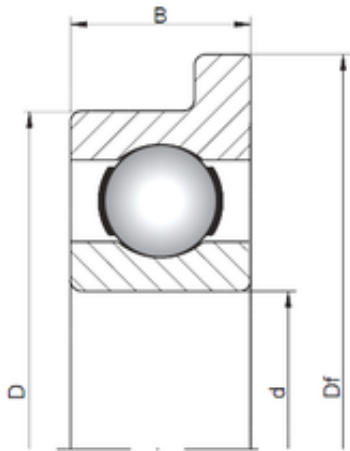




ASAHI FORGE OF AMERICA BEARING CORP.



7 mm x 17 mm x 5 mm ISO FL619/7 deep groove ball bearings

Bearing No. FL619/7

Size	7x17x5 mm
Bore Diameter	7 mm
Outer Diameter	17 mm
Width	5 mm
d	7 mm
D	17 mm
B	5 mm
C	5 mm
Df	19 mm

FL619/7 Bearing 2D drawings and 3D CAD models