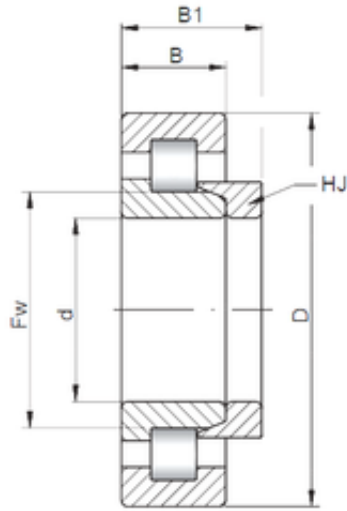




# ASAHI FORGE OF AMERICA BEARING CORP.



95 mm x 200 mm x 67 mm ISO NH2319  
cylindrical roller bearings

Bearing No. NH2319

Size	95x200x67 mm
Bore Diameter	95 mm
Outer Diameter	200 mm
Width	67 mm
d	95 mm
D	200 mm
B	67 mm
C	67 mm
B1	13 mm
B2	26,5 mm

NH2319 Bearing 2D drawings and 3D CAD models