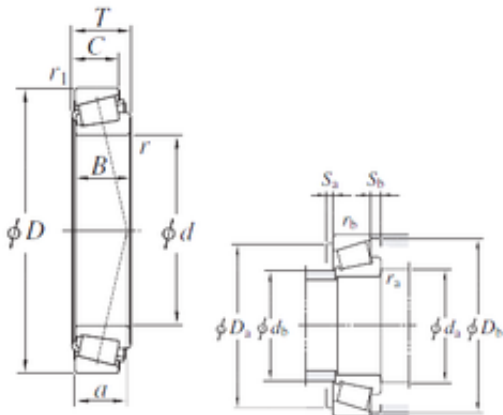




ASAHI FORGE OF AMERICA BEARING CORP.

130 mm x 230 mm x 40 mm KOYO 30226JR tapered roller bearings

Bearing No. 30226JR



30226JR Bearing 2D drawings and 3D CAD models

Size	130x230x43.75 mm
Bore Diameter	130 mm
Outer Diameter	230 mm
Width	43,75 mm
d	130 mm
D	230 mm
T	43,75 mm
B	40 mm
C	34 mm
a	46,2 mm
r min.	4 mm
r1 min.	3 mm
r2 min.	3 mm
da min.	148 mm
da max	152 mm
Da min	203 mm
Da max.	216 mm
db max.	152 mm
Db min.	218 mm
ra max.	3 mm
rb max.	2,5 mm
Db	218 mm
Weight	7,24 Kg
Basic dynamic load rating (C)	377 kN
Basic static load rating (C0)	511 kN



ASAHI FORGE OF AMERICA BEARING CORP.

(Grease) Lubrication Speed	1600 r/min
(Oil) Lubrication Speed	2100 r/min
Calculation factor (e)	0,44
Calculation factor (Y0)	0,76
Category	Tapered Roller Bearing Assemblies
Inventory	0.0
Manufacturer Name	KOYO
Minimum Buy Quantity	N/A
Weight / Kilogram	7.819
EAN	0605790020223
Product Group	B04334
Precision Class	Standard
Component	Assembly
Basic Number	30226
Number of Tapered Rows	Single Row
Inch - Metric	Metric
Other Features	High Load Capacity
Long Description	Assembly; Standard Precision; 130MM Bore; 230MM Outside Diameter; 43.75MM Assembly Width; Single Row of Rollers
Category	Tapered Roller Bearings Assembly
UNSPSC	31171516
Harmonized Tariff Code	8482.20.00.00
Noun	Bearing
Keyword String	Tapered
Manufacturer URL	http://www.koyousa.com
Manufacturer Item Number	30226JR
Weight / LBS	15.961
Assembly Width	1.722 Inch 43.75 Millimeter



ASAHI FORGE OF AMERICA BEARING CORP.

Outside Diameter	9.055 Inch 230 Millimeter
Flange Outside Diameter	0 Inch 0 Millimeter
Bore	5.118 Inch 130 Millimeter
Bearing No.	30226JR
r(min)	4
r1(min)	3
Cr	472
C0r	511
Cu	65.7
Grease lub.	1600
Oil lub.	2100
a	46.2 mm
da(min)	148
db(max)	152
Da(max)	216
Da(min)	203
Db(min)	218
Sa(min)	7
Sb(min)	9.5
ra(max)	3
rb(max)	2.5
e	0.44
Y1	1.38
Y0	0.76
(Refer.) Mass(kg)	7.24