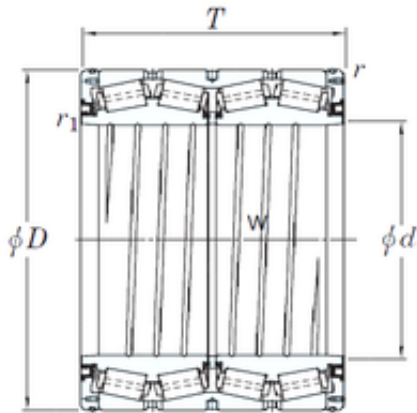




ASAHI FORGE OF AMERICA BEARING CORP.

KOYO 4TRS610 tapered roller bearings



Bearing No. 4TRS610

Size	609.6x787.4x361.95 mm
Bore Diameter	609,6 mm
Outer Diameter	787,4 mm
Width	361,95 mm
d	609,6 mm
D	787,4 mm
T	361,95 mm
r min.	6,4 mm
r1 min.	3,2 mm
W	361,95 mm
Weight	430 Kg
Basic dynamic load rating (C)	5920 kN
Basic static load rating (C0)	14900 kN
Calculation factor (e)	0,4
Calculation factor (Y2)	1,68

4TRS610 Bearing 2D drawings and 3D CAD models