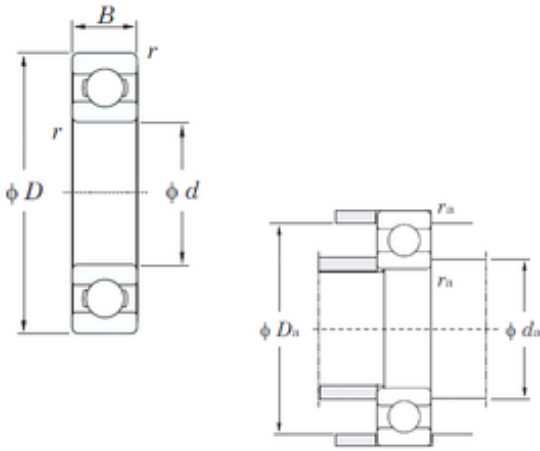




ASAHI FORGE OF AMERICA BEARING CORP.



55 mm x 100 mm x 21 mm KOYO 6211 deep groove ball bearings

Bearing No. 6211

6211 Bearing 2D drawings and 3D CAD models

Size	55x100x21 mm
Bore Diameter	55 mm
Outer Diameter	100 mm
Width	21 mm
d	55 mm
D	100 mm
B	21 mm
C	21 mm
r min.	1,5 mm
da min.	63 mm
Da max.	92 mm
ra max.	1,5 mm
Weight	0,607 Kg
Basic dynamic load rating (C)	43,4 kN
Basic static load rating (C0)	29,4 kN
(Grease) Lubrication Speed	6300 r/min
(Oil) Lubrication Speed	7600 r/min
Category	Single Row Ball Bearings
Inventory	2.0
Manufacturer Name	KOYO
Minimum Buy Quantity	N/A
Weight / Kilogram	0.661
EAN	0605790065484
Product Group	B00308
Enclosure	Open



ASAHI FORGE OF AMERICA BEARING CORP.

Precision Class	ABEC 1 ISO P0
Maximum Capacity / Filling Slot	No
Rolling Element	Ball Bearing
Snap Ring	No
Internal Special Features	No
Cage Material	Steel
Internal Clearance	C0-Medium
Inch - Metric	Metric
Long Description	55MM Bore; 100MM Outside Diameter; 21MM Outer Race Diameter; Open; Ball Bearing; ABEC 1 ISO P0; No Filling Slot; No Snap Ring; No Internal Special Features
Category	Single Row Ball Bearing
UNSPSC	31171504
Harmonized Tariff Code	8482.10.50.68
Noun	Bearing
Keyword String	Ball
Manufacturer URL	http://www.koyousa.com
Manufacturer Item Number	6211
Weight / LBS	1.457
Bore	2.165 Inch 55 Millimeter
Outside Diameter	3.937 Inch 100 Millimeter
Outer Race Width	0.827 Inch 21 Millimeter
Bearing No.	6211
r(min)	1.5
Cr	54.2
C0r	29.4
Cu	1.95
f0	14.4
Grease lub.	6300



ASAHI FORGE OF AMERICA BEARING CORP.

Oil lub.	7600
da(min)	63
Da(max)	92
ra(max)	1.5
(Refer.)Mass(kg)	0.607