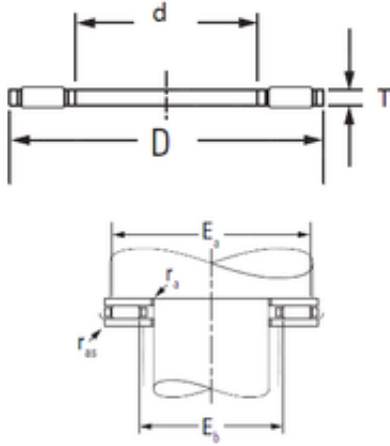




ASAHI FORGE OF AMERICA BEARING CORP.

KOYO AXK100135 needle roller bearings



Bearing No. AXK100135

Size	100x135x4 mm
Bore Diameter	100 mm
Outer Diameter	135 mm
Width	4 mm
d	100 mm
D	135 mm
T	4 mm
ra max.	0.6 mm
Ea	133.0 mm
Eb	105.0 mm
Weight	0.106 Kg
Basic dynamic load rating (C)	90.2 kN
Basic static load rating (C0)	552 kN
Category	Thrust Roller Bearing
Inventory	0.0
Manufacturer Name	KOYO
Minimum Buy Quantity	N/A
Weight / Kilogram	0.11
EAN	0060579019783
Product Group	B04144
Rolling Element	Needle Roller Bearing
Self Aligning	No
Component Description	Roller Assembly Only
Thrust Bearing	Yes
Single or Double Direction	Single Direction
Banded	No

AXK100135 Bearing 2D drawings and 3D CAD models



ASAHI FORGE OF AMERICA BEARING CORP.

Cage Material	Steel
Precision Class	ABEC 1 ISO P0
Other Features	Single Row One Piece Cage
Long Description	100MM Bore 1; 100MM Bore 2; 135MM Outside Diameter; 4MM Height; Needle Roller Bearing; Single Direction; Not Self Aligning; Not Banded; Steel Cage; ABEC 1 ISO P0; Roller Assembly Only
Inch - Metric	Metric
Category	Thrust Roller Bearings
UNSPSC	31171500
Harmonized Tariff Code	8482.99.25.40
Noun	Roller Assembly
Keyword String	Thrust Needle
Manufacturer URL	http://www.koyousa.com
Manufacturer Item Number	AXK100135
Weight / LBS	0.234
Outside Diameter	5.315 Inch 135 Millimeter
Bore 2	3.937 Inch 100 Millimeter
Bore 1	3.937 Inch 100 Millimeter
Height	0.157 Inch 4 Millimeter
Overall Height with Aligning Washer	0 Inch 0 Millimeter
Bearing No.	AXK100135
Dc1	100
Dc	135
Dw	4
Ca	90.2
C0a	552
Cu	56.4
Oil lub.	3100



ASAHI FORGE OF AMERICA BEARING CORP.

ra(max)	0.6
(Refer.) Mass(kg)	0.106
D,d1	135
D1	-
h1	1.00 mm
Washer designation	AS100135
(Refer.) Mass(kg)	0.050
h	- mm
a	- mm
Washer designation	-
(Refer.) Mass(kg)	-
h	- mm
rs(min)	-
Washer designation Shaft piloted	-
Washer designation Housing piloted	-
(Refer.) Mass(kg)	-