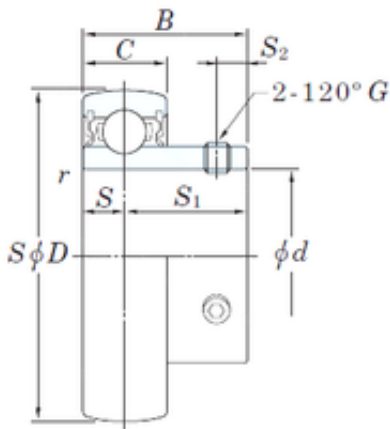




ASAHI FORGE OF AMERICA BEARING CORP.



50,8 mm x 100 mm x 55,6 mm KOYO
UCX10-32 deep groove ball bearings

Bearing No. UCX10-32

UCX10-32 Bearing 2D drawings and 3D CAD models

Size	50.8x100x55.6 mm
Bore Diameter	50,8 mm
Outer Diameter	100 mm
Width	55,6 mm
d	50,8 mm
D	100 mm
B	55,6 mm
C	25 mm
S1	33,4 mm
r min.	1,1 mm
S	22,2 mm
S2	9 mm
Thread (G) - 3/8-24UNF	3/824UNF
Weight	1,26 Kg
Basic dynamic load rating (C)	43,4 kN
Basic static load rating (C0)	29,4 kN
Category	Bearings
Inventory	0.0
Manufacturer Name	KOYO
Minimum Buy Quantity	N/A
Weight / Kilogram	0
Product Group	M06110