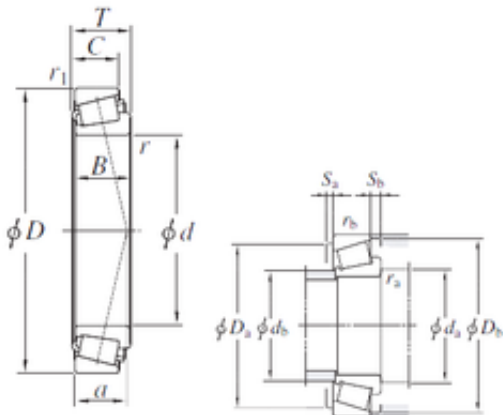




# ASAHI FORGE OF AMERICA BEARING CORP.

125,298 mm x 228,6 mm x 49,428 mm KOYO  
HM926745/HM926710 tapered roller bearings

Bearing No. HM926745/HM926710



HM926745/HM926710 Bearing 2D drawings and 3D CAD models

Size	125.298x228.6x53.975 mm
Bore Diameter	125,298 mm
Outer Diameter	228,6 mm
Width	53,975 mm
d	125,298 mm
D	228,6 mm
T	53,975 mm
B	49,428 mm
C	38,1 mm
a	68,1 mm
r min.	3,6 mm
r1 min.	3,2 mm
da min.	138 mm
Da min	200 mm
Da max.	217 mm
db max.	148 mm
ra max.	3,6 mm
rb max.	3,2 mm
Db	218 mm
Weight	9,23 Kg
Basic dynamic load rating (C)	430 kN
Basic static load rating (C0)	651 kN
Calculation factor (e)	0,74
Calculation factor (Y0)	0,45