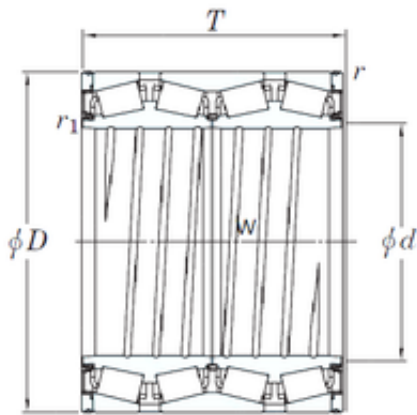




ASAHI FORGE OF AMERICA BEARING CORP.

KOYO 47TS614428C-1 tapered roller bearings

Bearing No. 47TS614428C-1



47TS614428C-1 Bearing 2D drawings and 3D CAD models

Size	304.648x438.048x279.4 mm
Bore Diameter	304,648 mm
Outer Diameter	438,048 mm
Width	279,4 mm
d	304,648 mm
D	438,048 mm
T	279,4 mm
r min.	3,2 mm
r1 min.	1,6 mm
W	279,4 mm
Weight	135 Kg
Basic dynamic load rating (C)	3140 kN
Basic static load rating (C0)	6860 kN
Calculation factor (e)	0,4
Calculation factor (Y2)	1,68