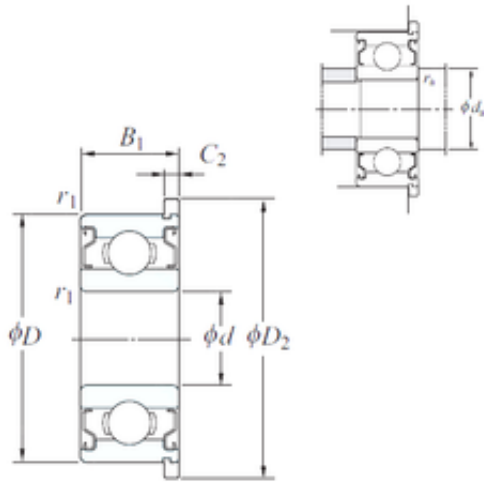




ASAHI FORGE OF AMERICA BEARING CORP.



3 mm x 8 mm x 4 mm KOYO WFN693 ZZ
deep groove ball bearings

Bearing No. WFN693 ZZ

Size	3x8x4 mm
Bore Diameter	3 mm
Outer Diameter	8 mm
Width	4 mm
d	3 mm
D	8 mm
B	4 mm
C	4 mm
r	0,15 mm
D2	9,5 mm
da min.	4,2 mm
ra max.	0,15 mm
C2	0,9 mm
Weight	0,0009 Kg
Basic dynamic load rating (C)	0,55 kN
Basic static load rating (C0)	0,17 kN
(Grease) Lubrication Speed	64 000 r/min

WFN693 ZZ Bearing 2D drawings and 3D CAD models