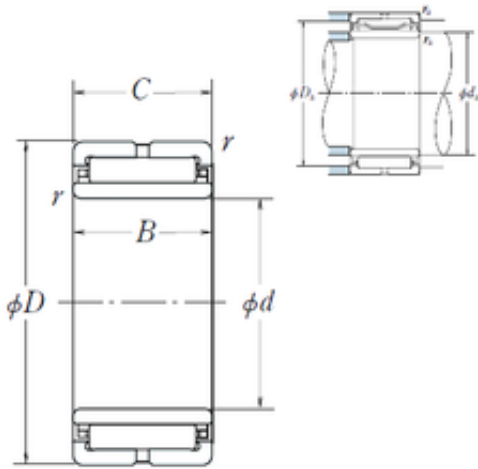




ASAHI FORGE OF AMERICA BEARING CORP.

45 mm x 68 mm x 40 mm NSK NA6909 needle roller bearings

Bearing No. NA6909



NA6909 Bearing 2D drawings and 3D CAD models

Size	45x68x40 mm
Bore Diameter	45 mm
Outer Diameter	68 mm
Width	40 mm
d	45 mm
Fw	52 mm
D	68 mm
B	40 mm
C	40 mm
r min.	0,6 mm
da min.	49 mm
Da max.	64 mm
ra max.	0,6 mm
Weight	0,495 Kg
Basic dynamic load rating (C)	76 kN
Basic static load rating (C0)	149 kN
(Grease) Lubrication Speed	5000 r/min
hidYobi	NA6909
LangID	1
D_	68
B_	40
hidTable	ecat_NS MRNR
GRS rpm	5000
ra	0.6
da_min	49



ASAHI FORGE OF AMERICA BEARING CORP.

d2	45
C0	149
C1_	40
DE_	61
SLR	33.8
Prod_Type3	NRB_S_NA
DA_	4.5
Z_	25
SI	52
yobi	NA6909
da_max	64
OIL rpm	8000
SDM_	56.5
r	0.6
KBRG	8353
mass2	0.495
B1	40