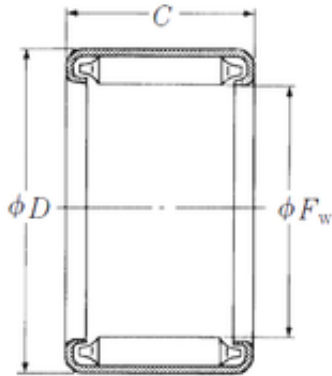




# ASAHI FORGE OF AMERICA BEARING CORP.

## NSK F-2210 needle roller bearings

Bearing No. F-2210



Size	22x28x10 mm
Bore Diameter	22 mm
Outer Diameter	28 mm
Width	10 mm
Fw	22 mm
D	28 mm
C	10 mm
C1	2,2 mm
Weight	0,014 Kg
Basic dynamic load rating (C)	9,4 kN

F-2210 Bearing 2D drawings and 3D CAD models