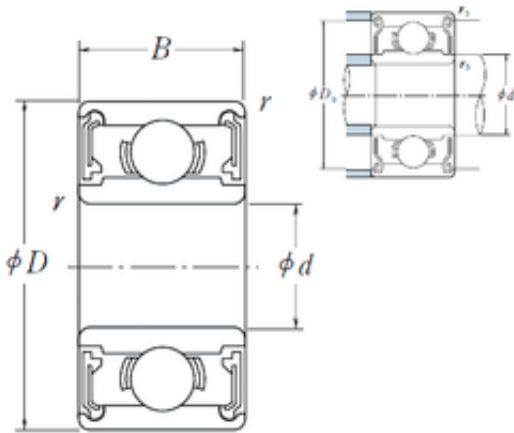




ASAHI FORGE OF AMERICA BEARING CORP.



7 mm x 26 mm x 9 mm NSK 637 VV deep groove ball bearings

Bearing No. 637 VV

Size	7x26x9 mm
Bore Diameter	7 mm
Outer Diameter	26 mm
Width	9 mm
d	7 mm
D	26 mm
B	9 mm
C	9 mm
r min.	0,3 mm
db max.	12,8 mm
Db min.	22,8 mm
rb max.	0,3 mm
Weight	0,025 Kg
Basic dynamic load rating (C)	4,55 kN
Basic static load rating (C0)	1,97 kN

637 VV Bearing 2D drawings and 3D CAD models