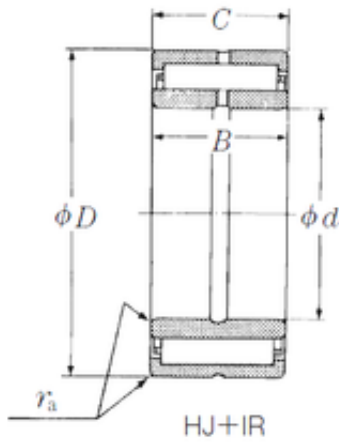




ASAHI FORGE OF AMERICA BEARING CORP.



25,4 mm x 44,45 mm x 25,4 mm NSK
HJ-202816+IR-162016 needle roller bearings

Bearing No. HJ-202816+IR-162016

Size	25.4x44.45x25.4 mm
Bore Diameter	25,4 mm
Outer Diameter	44,45 mm
Width	25,4 mm
d	25,4 mm
Fw	31,75 mm
D	44,45 mm
B	25,4 mm
C	25,4 mm
ra max.	1 mm
Weight	0,28 Kg
Basic dynamic load rating (C)	36,5 kN
Basic static load rating (C0)	55 kN

HJ-202816+IR-162016 Bearing 2D drawings and 3D CAD models