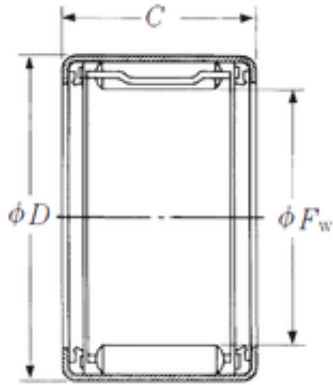




ASAHI FORGE OF AMERICA BEARING CORP.

NSK FJLTT-2521 needle roller bearings

Bearing No. FJLTT-2521



Size	25x33x21 mm
Bore Diameter	25 mm
Outer Diameter	33 mm
Width	21 mm
Fw	25 mm
D	33 mm
C	21 mm
Weight	0,031 Kg
Basic dynamic load rating (C)	15,4 kN

FJLTT-2521 Bearing 2D drawings and 3D CAD models