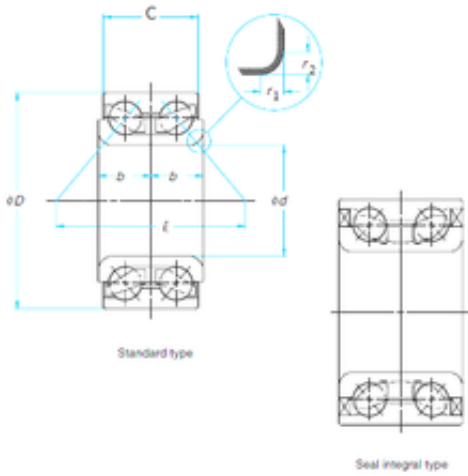




ASAHI FORGE OF AMERICA BEARING CORP.

45 mm x 83 mm x 88 mm NSK
45BWD14JCA117** E tapered roller bearings



Bearing No. 45BWD14JCA117** E

Size	45x83x88 mm
Bore Diameter	45 mm
Outer Diameter	83 mm
Width	88 mm
d	45 mm
D	83 mm
B	88 mm
C	44 mm
b	44 mm
r1 min.	3,6 mm
r2 min.	3,5 mm
Weight	0,92 Kg
ABS	+

45BWD14JCA117** E Bearing 2D drawings and 3D CAD models