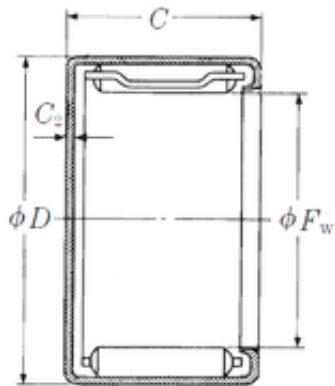




ASAHI FORGE OF AMERICA BEARING CORP.

NSK MJ-361 needle roller bearings



Bearing No. MJ-361

Dimensione	4.762x8.731x9.52 mm
Marchio	NSK
Diametro del foro	4,762 mm
Diametro esterno	8,731 mm
Larghezza	9,52 mm
Fw	4,762 mm
D	8,731 mm
C	9,52 mm
C2	1 mm
Peso	0,0027 Kg
Carico dinamico di base (C)	2,29 kN

MJ-361 Bearing 2D drawings and 3D CAD models