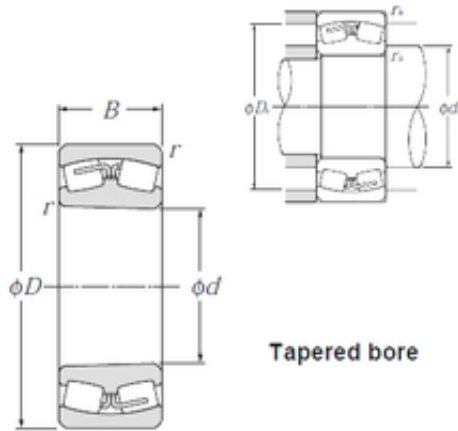




ASAHI FORGE OF AMERICA BEARING CORP.

160 mm x 220 mm x 45 mm NTN 23932K
spherical roller bearings



Bearing No. 23932K

23932K Bearing 2D drawings and 3D CAD models

| | |
|-------------------------------|---------------|
| Size | 160x220x45 mm |
| Bore Diameter | 160 mm |
| Outer Diameter | 220 mm |
| Width | 45 mm |
| d | 160 mm |
| D | 220 mm |
| B | 45 mm |
| C | 45 mm |
| r min. | 2 mm |
| da min. | 170 mm |
| Da max. | 210 mm |
| ra max. | 2 mm |
| Weight | 5,33 Kg |
| Basic dynamic load rating (C) | 320 kN |
| Basic static load rating (C0) | 610 kN |
| (Grease) Lubrication Speed | 1 500 r/min |
| (Oil) Lubrication Speed | 2 000 r/min |
| Calculation factor (e) | 0,18 |
| Calculation factor (Y0) | 3,61 |
| Calculation factor (Y1) | 3,69 |